



Bull Shark

Put your pool cleaning on 'Cruise' control

The Bull Shark™ pool cleaner shares many of the design features of the original Kreepy Krauly® pool cleaner, the most popular automatic suction-side vacuum in history. Then we added performance features to make Bull Shark relentless in its pursuit of dirt and debris, while keeping it affordable and sensationally dependable. Bull Shark features a new, patented silent flapper design. This sole operational moving part creates the kinetic energy that powers Bull Shark around your pool. Elegantly simple and highly reliable, this dependable design has been proven in more than 3 million pools worldwide. Other features include:

- Powerful vacuum action and extra-wide mouth capture large and small debris for spotless cleaning.
- Patented seal design and built-in bumper help Bull Shark manoeuvre around obstacles for uninterrupted performance and total cleaning coverage.
- Simple design for long, dependable life. Silent flapper is the only moving part, or diaphragm to replace.
- Adjustable regulator valve and FREE flow gauge lets you set just the right speed for the most effective cleaning possible.
- Installs in minutes-no tools required.

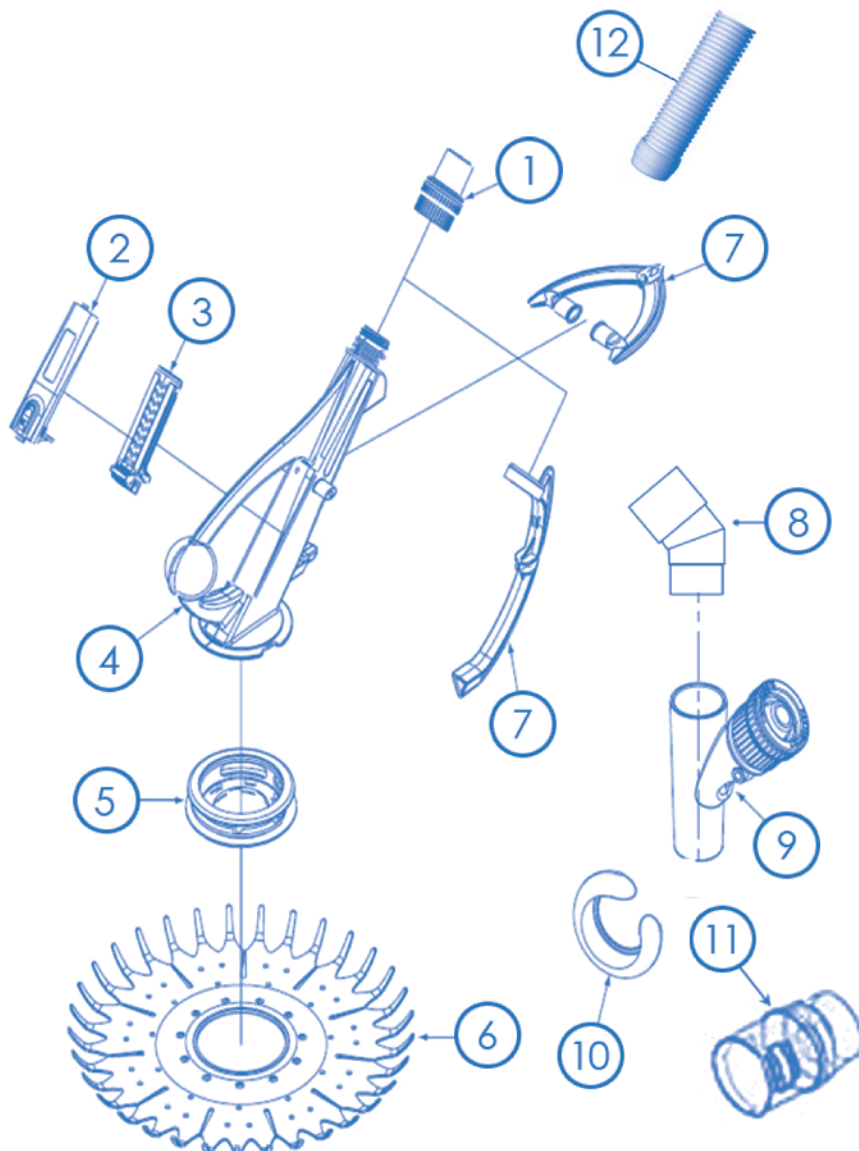
Specially designed curved "fingers" climb over obstructions so Bull Shark keeps performing-unattended and without interruption.



Supremely simple and relentless in the pursuit of dirt and debris

The Kreepy Krauly® Bull Shark™ pool cleaner is the ultimate in carefree operation. It comes fully assembled. Just add the seal and connect the hoses. No tools required and you're on "cruise" control in minutes. It even comes with a free flow gauge and adjustable speed control to ensure optimum performance. Also, consider these other hands-free and reliability features:

- Only one operational moving part... only 8 parts in total.
- All parts are UV stable and chemical resistant for years of dependable service.
- Sleek, compact design increases manoeuvrability for best cleaning performance.
- Backed by the largest pool equipment company in the world.
- Four-year limited warranty. See warranty for details.



1. **K3090**
Bullshark Swivel assy
2. **K6132**
Bullshark Lid & lock assy
3. **K6130**
Bullshark Flapper
4. Bullshark Mainbody
5. **K6129**
Bullshark Footpad
6. **K6128**
Bullshark Suction seal
7. **K8057**
Bullshark Bumper set
8. **K2002**
Hose 45° connector
9. **K1026**
Reg Valve adjustable
10. **K2075**
Hose weight C-clip
11. **K1027**
Flow Gauge
* Installation use only.
(Remove once used)
12. Standard leader hose



Pool Shark®

• Devours dirt with unique, 2-way cleaning

The new Kreepy Krauly® PoolShark™ is the latest evolution in automatic pool cleaning technology. PoolShark cleans two ways. First, it scrubs your pool walls and floor, dislodging stubborn dirt particles with its rows of little rubber scrubbers. Next, it instantly vacuums away the debris and sends it to your pool's filtration system... where it belongs. Thanks to Kreepy Krauly PoolShark, hand vacuuming and dirty pools are about to become extinct.



- PoolShark features the exclusive SmartTrac programmed steering. SmartTrac assures complete cleaning coverage from your pool floor to the waterline, manoeuvring PoolShark around corners, swim-outs and steps. It's truly a "set it and forget it" pool cleaner.
- 2-way cleaning action-patented footpad design scrubs and dislodges debris from the pool surface while its powerful vacuum action whisks it away.
- Wide body design allows the Kreepy Krauly PoolShark to cut a broad 300 mm cleaning path for fast cleaning.

• PoolShark's rows of flexible rubber scrubbing teeth dislodge stubborn dirt and vacuum it away.

By Kreepy Krauly®
The brand of choice for more than
3 million pool owners worldwide.

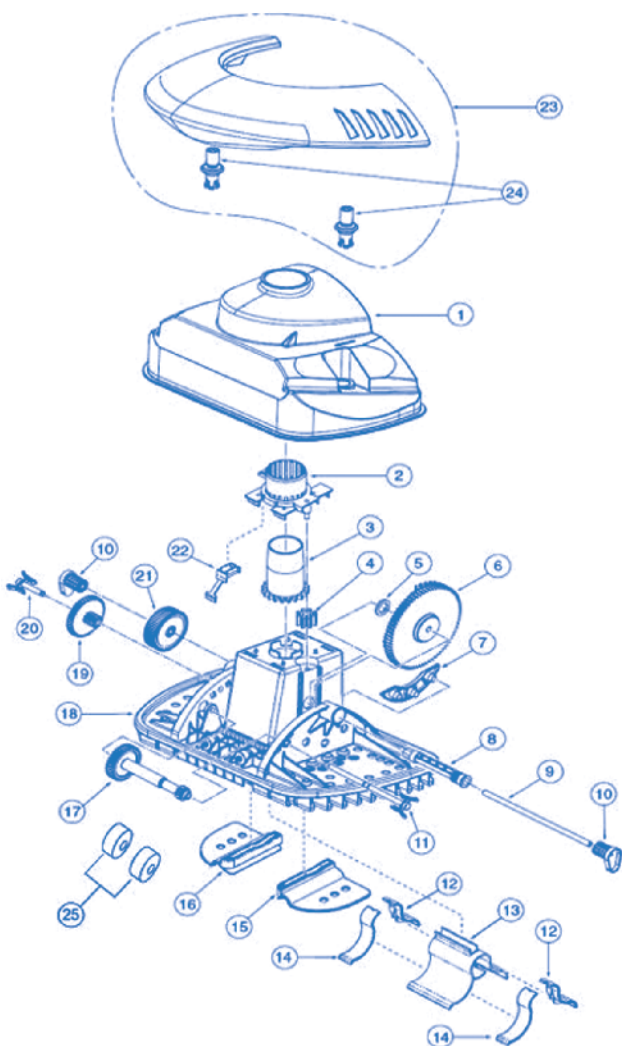


Set it and forget it

Remove the Kreepy Krauly® PoolShark™ cleaner from the box, attach the hose, place it in the water and watch it attack dirt as it prowls around the bottom and sides of your pool.

Key features include:

- No assembly required. Just attach to hose and go.
- Devours everything in its path from dirt, sand, pollen, leaves, twigs, and insects while helping to scrub away algae, loose scale and soft calcium deposits.
- Adjustable regulator valve lets you set just the right cleaning speed to assure the most effective cleaning possible.
- No annoying diaphragms to replace.
- From Kreepy Krauly, the most popular name in automatic pool cleaning with over 3 million cleaners installed worldwide.
- Three-year limited warranty. See warranty for details



- | | |
|--|--|
| 1. H1016B
Hood | 15. H1043
Flag large right |
| 2. H1006W
Centre clip | 16. H1042
Flag large left |
| 3. H1013B
Gear centre | 17. H1008
Drive gear long |
| 4. H1030
Space gear | 18. Gearhousing/Shoe assembly |
| 5. H1021
Sealing washer | 19. H1009
Drive gear short |
| 6. H1018
Planet gear | 20. H1024
Shaft short |
| 7. H1036
Support plate | 21. H1007
Clutch |
| 8. H1026
Oscillator sleeve | 22. H1020
Ratchet finger |
| 9. H1031
Stainless steel shaft | 23. H1055
Water arm |
| 10. H1023
Shaft plug (2) | 24. H1056
Water arm snap (2) |
| 11. H1022
Shaft long | 25. H1057
Brass weight (2) |
| 12. H1028
Sliding seal short (2) | H1012
Flap set (15/16) |
| 13. H1017
Oscillator | H1029
Sliding seal set (12/14) |
| 14. H1027
Sliding seal long (2) | |



**KREEPY[®]
KRAULY**
TRIED & TESTED SINCE 1974

• **Join more than 3 million
satisfied owners worldwide**



For optimum cleaning performance, simplicity and convenience, choose Kreepy Krauly[®] pool cleaner, the most popular suction-side cleaner in history.

- Turbo-action swivel design and automatic regulator valve deliver optimum water flow for maximum cleaning power.
- Engineered to provide optimum cleaning performance from the water line to the pool bottom.
- Adjustable valve regulates water flow to set the ideal travel speed for more thorough cleaning.
- Original "one moving part" design for years of dependable service-no wheels or diaphragm to replace.

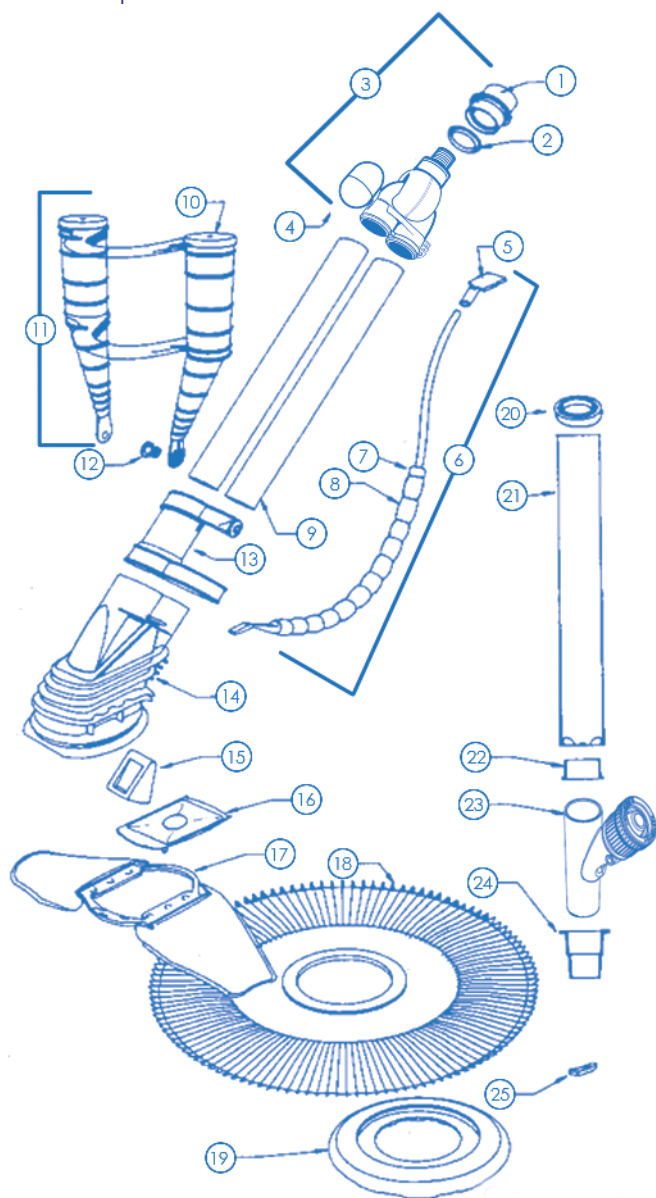
• Nothing escapes the Kreepy Krauly (Shown here with Universal Seal for all pool surfaces.)

**KREEPY[®]
KRAULY**
TRIED & TESTED SINCE 1974



Seven reasons why more pool owners demand the cleaner with the funny name

- It's proven. Our patented design and rugged construction have been put to the test in more than 3 million pools worldwide.
- It's reliable. With only one operational moving part-the flapper- Kreepy Krauly® pool cleaner is famous for long, dependable service.
- It's automatic. The Classic works when your pool pump runs, using your pool's existing circulation system to power it around your pool.
- It's simple.
- It's thorough. Due to its exclusive dive float directional guidance system, the Kreepy Krauly vacuums and cleans your entire pool from the water line to the pool floor.
- It's backed by the largest pool equipment company in the world.
- Five-year limited warranty. See warranty for details.



- | | |
|---|---|
| 1. K3045
S/head Sub-assy
female | 14. K6008
Main Body Assembly |
| 2. K3018
S/head flow washer | 15. K6065
Main Body Flow Valve
Purple Narrow |
| 3. K3001
S/head assy
complete (Doughnut) | 16. K6014
Main Body Baffle
Plate |
| 4. K3012
Swivelhead cap | 17. K6109
Clip on Wings Blue |
| 5. K8001
bumper roller
adaptor bent | 18. K6066
Suction Seal Pleated
K6034
Suction Seal Flat |
| 6. K8012
Bumper Roller Assy Str | 19. K6002
Universal Footpad
natural |
| 7. K8016
Bumper Roller
Retainer | 20. K2075
Hose Weight c-clip |
| 8. K8028
Bumper Roller | 21. K2011
Hose Protector |
| 9. K4001
Drive Tubes | 22. K2004
Hose Adaptor Female |
| 10. K5014
Dive Float Cap | 23. K1022
Adjustable Regulator
Valve |
| 11. K5003
Dive Float Assembly | 24. K1001
Reg Valve Adaptor
Cuff |
| 12. K5011
Dive Float Cam | 25. K6027
Main Body Weights |
| 13. K5031
Pilot Moulding | |



HUG BUG

• The cute, clever, colourful Pool Cleaner

The new Hug Bug® is one of Kreepy Krauly's® latest development in automatic pool cleaning technology. The Hug Bug will clean your pool by firstly scrubbing your pool walls and floor, removing dirt particles with its rows of tiny rubber scrubbers and then secondly it immediately vacuums away the dirt and debris and sends it right where it belongs - to your pool's filtration system. Having a dirty pool is about to become a thing of the past, thanks to Kreepy Krauly® Hug Bug®,

- Hug Bug features the exclusive SmartTrac programmed steering. SmartTrac assures complete cleaning coverage from your pool floor to the waterline, manoeuvring Hug Bug around corners, swim-outs and steps. It's truly a "set it and forget it" pool cleaner.
- 2-way cleaning action-patented footpad design scrubs and dislodges debris from the pool surface while its powerful vacuum action whisks it away.
- Wide body design allows the Kreepy Krauly Hug Bug to cut a broad 300 mm cleaning path for fast cleaning.



• Hug Bug's rows of flexible rubber scrubbing teeth dislodge stubborn dirt and vacuum it away.

By Kreepy Krauly®
The brand of choice for more than
3 million pool owners worldwide.

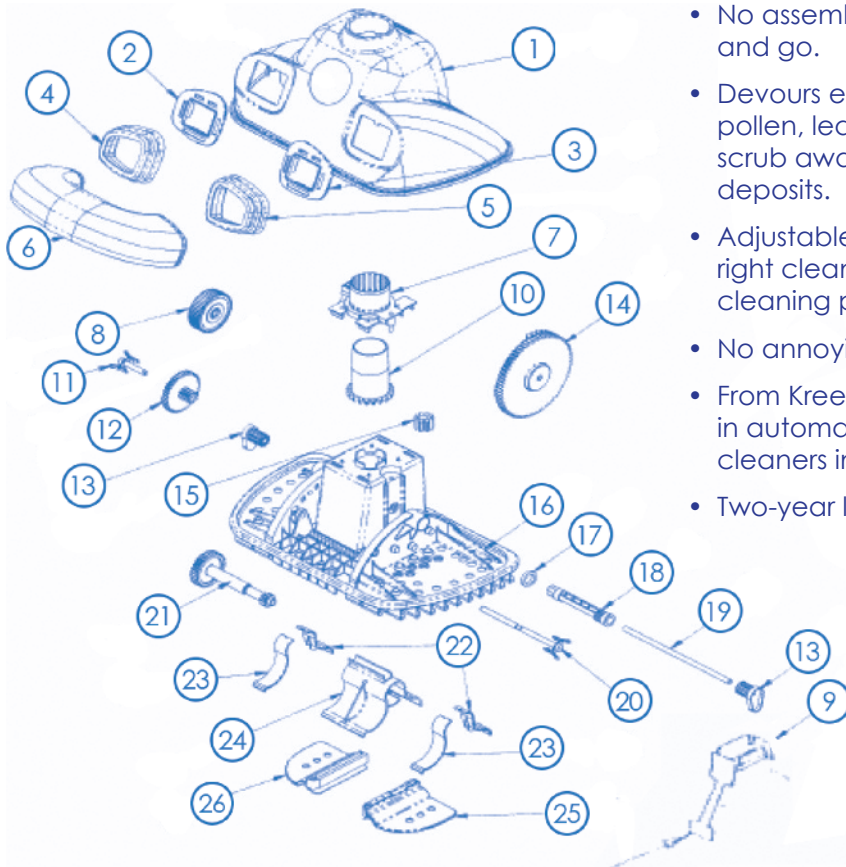
**KREEPY
KRAULY**
TRIED & TESTED SINCE 1974



Set it and forget it

Remove the Kreepy Krauly® Hug Bug® cleaner from the box, attach the hose, place it in the water and watch it attack dirt as it hugs the bottom and sides of your pool cleaning the dirt and debris.

Key features include:



- No assembly required. Just attach to hose and go.
- Devours everything in its path from dirt, sand, pollen, leaves, twigs, and insects while helping to scrub away algae, loose scale and soft calcium deposits.
- Adjustable regulator valve lets you set just the right cleaning speed to assure the most effective cleaning possible.
- No annoying diaphragms to replace.
- From Kreepy Krauly, the most popular name in automatic pool cleaning with over 3 million cleaners installed worldwide.
- Two-year limited warranty. See warranty for details

- | | | | |
|--------------------------------------|--------------------------------------|---|--|
| 1. H1016
Hood | 8. H1007
Clutch | 15. H1030
Space gear | 22. H1028
Sliding seal short (2) |
| 2. H1002
Below Clip R/H | 9. H1020
Ratchet finger | 16. H1015
Housing/Shoe assembly | 23. H1027
Sliding seal long (2) |
| 3. H1001
Below Clip L/H | 10. H1013
Gear centre | 17. H1021
Sealing washer | 24. H1017
Oscillator |
| 4. H1004
Below R/H | 11. H1024
Shaft short | 18. H1026
Oscillator sleeve | 25. H1043
Flag large right |
| 5. H1003
Below L/H | 12. H1009
Drive gear short | 19. H1031
Stainless steel shaft | 26. H1043
Flag large left |
| 6. H1010
Elevation Limiter | 13. H1023
Shaft plug (2) | 20. H1022
Shaft long | H1012
Flap set (27/28) |
| 7. H1006
Centre clip | 14. H1018
Planet gear | 21. H1008
Drive gear long | H1029
Sliding seal set (23/24) |



● Fast and effective Pool Cleaner

The Sand Shark™ pool cleaner is much like the original Kreepy Krauly®, the original Pentair Pool Cleaner but with a few performance-enhancing features to take it to the next level with its relentless pursuit of dirt and debris. At the same time, it is still affordable and highly dependable. Sand Shark™ includes a new feature - a patented silent flapper design. This sole operational moving part creates the kinetic energy that powers Sand Shark around your pool. Simple and highly reliable are words to describe Sand Shark™ and this dependable design have been proven in over a million pools worldwide. Other features include:



- Powerful vacuum action and extra-wide mouth capture large and small debris for spotless cleaning.
- Patented seal design and built-in bumper help Sand Shark manoeuvre around obstacles for uninterrupted performance and total cleaning coverage.
- Simple design for long, dependable life-silent flapper is the only moving part, or diaphragms to replace.
- No expensive booster pump to buy or operate-saving you money and energy.
- Installs in minutes-no tools required.

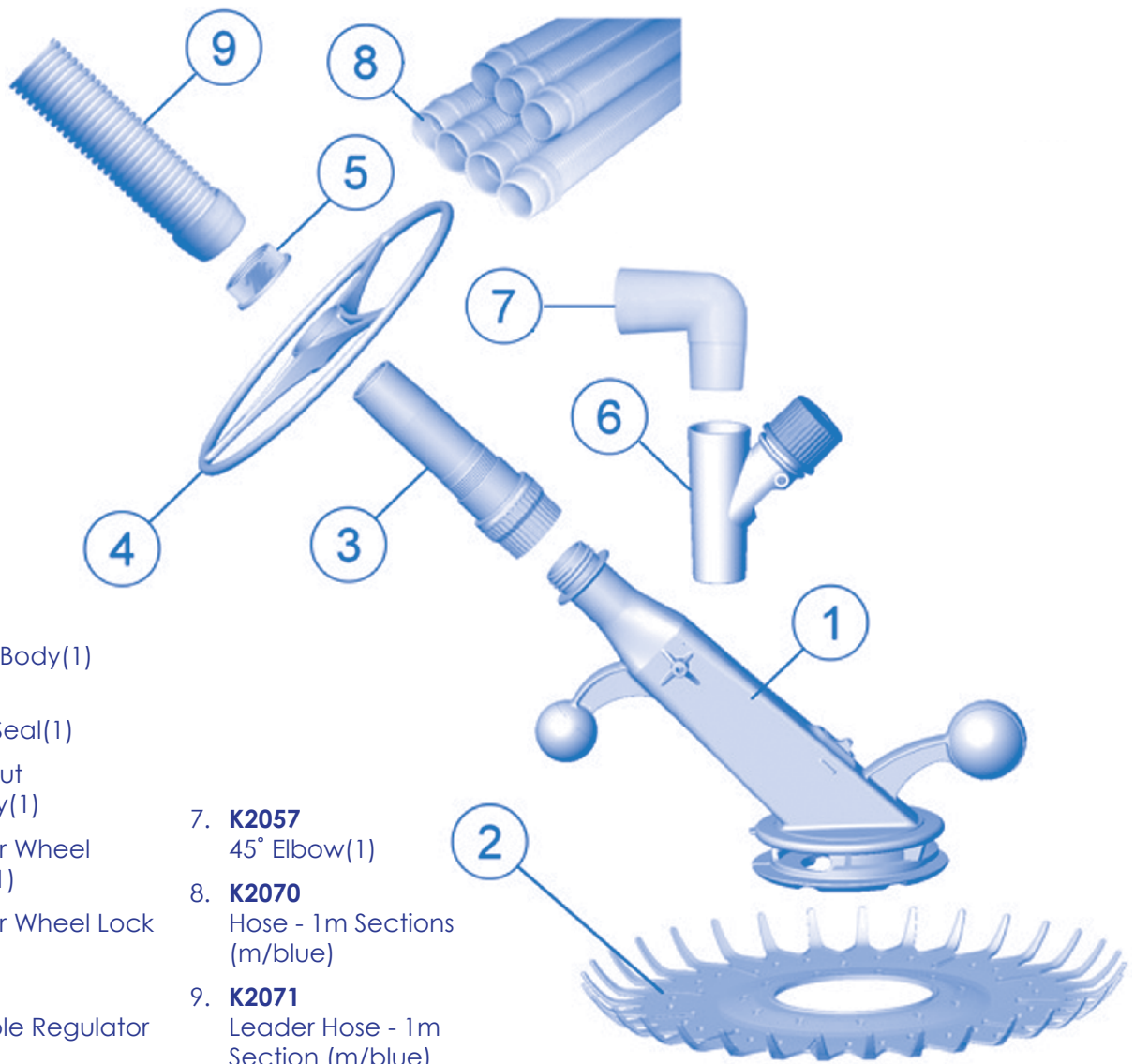
● Specially designed curved "fingers" climb over obstructions so Sand Shark keeps performing-unattended and without interruption.



Supremely simple and relentless in the pursuit of dirt and debris

The Kreepy Krauly® Sand Shark™ pool cleaner is the ultimate in carefree operation. It comes fully assembled. Just add the seal and connect the hoses. No tools required and you're on "cruise" control in minutes. It even comes with a free flow gauge and adjustable speed control to ensure optimum performance. Also, consider these other hands-free and reliability features:

- Only one operational moving part... only 8 parts in total.
- All parts are UV stable and chemical resistant for years of dependable service.
- Sleek, compact design increases manoeuvrability for best cleaning performance.
- Backed by the largest pool equipment company in the world.
- Four-year limited warranty. See warranty for details.



1. Cleaner Body(1)
2. **K6127**
Suction Seal(1)
3. Pipe & Nut
Assembly(1)
4. Deflector Wheel
260mm(1)
5. Deflector Wheel Lock
Nut(1)
6. **K1026**
Adjustable Regulator
Valve(1)
7. **K2057**
45° Elbow(1)
8. **K2070**
Hose - 1m Sections
(m/blue)
9. **K2071**
Leader Hose - 1m
Section (m/blue)